

# PREMIUM ROLLER BANNER

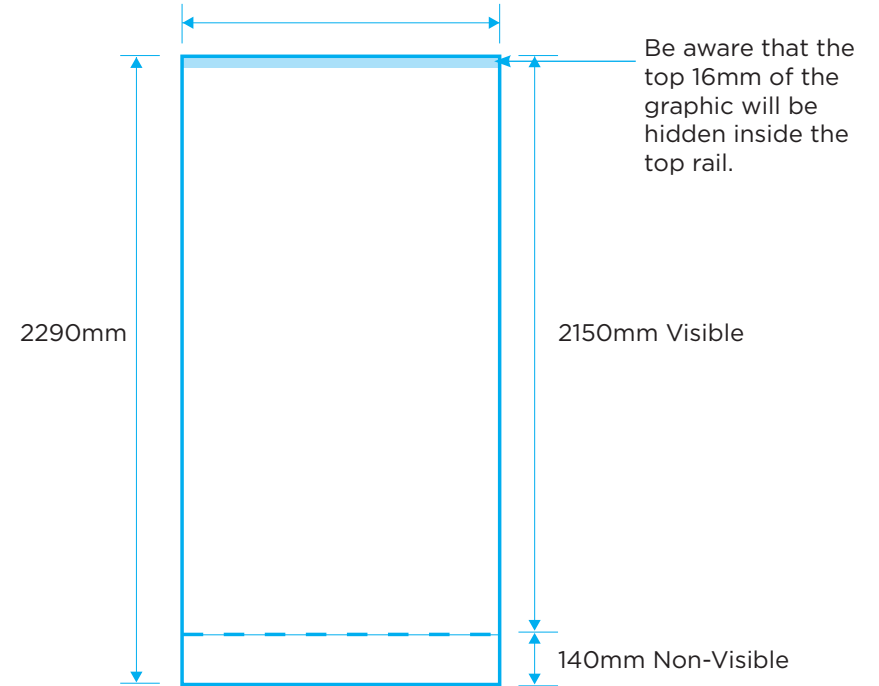
<b>SIZE</b>	The template is set up at 25% of the output size and is dimensionally accurate.
<b>LAYOUT</b>	Artwork must be laid out correctly as shown in the templates provided. Where there is more than one panel, if possible, avoid running text characters across the joins.
<b>BLEED</b>	A bleed of 2.5mm at the template size (quarter size) must be included as shown.
<b>SCANS</b>	100dpi at the final output size is recommended. This is equivalent to 60mb per sqm of printed images. Scans should be <b>CMYK</b> .
<b>TIFFS</b>	Coloured up greyscale or bitmap tiffs should have spot colour unchecked.
<b>LOGOS</b>	Supply logos in vector format if you wish to achieve the best results.
<b>COLOUR</b>	To ensure a good match to colours please specify as Pantone colours or provide a colour swatch.
<b>FONTS</b>	Supply all fonts used, including fonts used in placed pictures i.e. Illustrator files. Or ensure they are saved as outlines/curves.
<b>PROOFS</b>	Supply a hardcopy colour proof or low res pdf of the final artwork as a content guide.
<b>ARTWORK SUPPLY</b>	Via email, upload via our site or on CD/DVD.

**IMPORTANT**  
Failure to follow the above artwork instructions may result in imperfect final output and/or extra charges to correct the artwork.



Unit 7-8 Woodingdean Business Park,  
Sea View Way, Brighton, BN2 6NX  
[info@one-digital.com](mailto:info@one-digital.com) • 01273 887575 • [one-digital.com](http://one-digital.com)

800, 850, 1000, 1200 or 1500mm depending on model



	OUTPUT SIZE	ARTWORK@25% (MM)
<b>800</b>	<b>PANEL SIZE</b>	2150(h) x 800(w)
	<b>NON-VISIBLE AREA</b>	140mm
	<b>TOTAL GRAPHIC</b>	2290(h) x 800(w)
	<b>BLEED</b>	10mm
<b>1,000</b>	<b>PANEL SIZE</b>	2150(h) x 1000(w)
	<b>NON-VISIBLE AREA</b>	140mm
	<b>TOTAL GRAPHIC</b>	2290(h) x 1000(w)
	<b>BLEED</b>	10mm
<b>1,500</b>	<b>PANEL SIZE</b>	2150(h) x 1500(w)
	<b>NON-VISIBLE AREA</b>	140mm
	<b>TOTAL GRAPHIC</b>	2290(h) x 1500(w)
	<b>BLEED</b>	10mm